

FICHE D'HOMOLOGATION HOMOLOGATION FORM



COMMISSION INTERNATIONALE
DE KARTING – FIA



CARBURATEUR / CARBURETTOR

| | | |
|-------------------------|-------------------------------------|-----------------------|
| Constructeur | <i>Manufacturer</i> | TILLOTSON LTD. |
| Marque | <i>Make</i> | TILLOTSON |
| Modèle | <i>Model</i> | HW-10 |
| Catégorie | <i>Category</i> | KF3 |
| Durée de l'homologation | <i>Validity of the homologation</i> | 9 ans / 9 years |
| Nombre de pages | <i>Number of pages</i> | 2 |

La présente Fiche d'Homologation reproduit descriptions, illustrations et dimensions du carburateur au moment de l'homologation CIK-FIA. Le Constructeur a la possibilité de les modifier seulement dans les limites fixées par le règlement CIK-FIA en vigueur.

This Homologation Form reproduces descriptions, illustrations and dimensions of the carburettor at the moment of the CIK-FIA homologation. The Manufacturer may modify them, but only within the limits fixed by the CIK-FIA regulations in force.



PHOTO CÔTÉ ASPIRATION
PHOTO OF INLET SIDE



PHOTO CÔTÉ RÉGLAGE
PHOTO OF ADJUSTING SIDE

Signature et tampon de l'ASN
Signature and stamp of the ASN

Signature et tampon de la CIK-FIA
Signature and stamp of the CIK-FIA



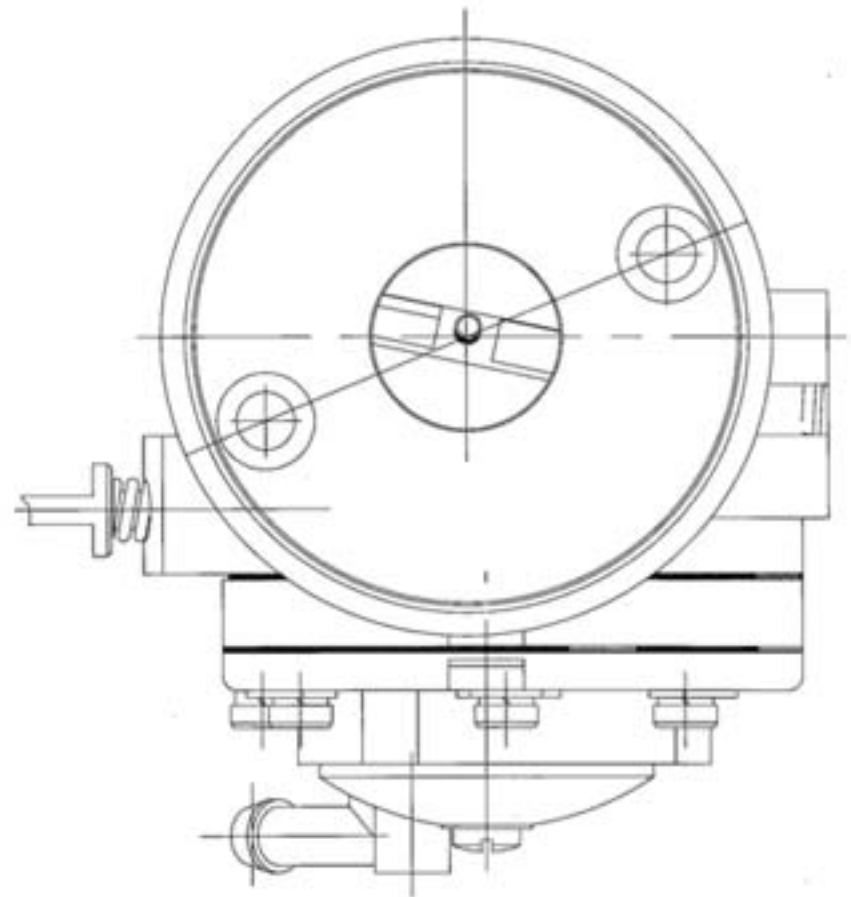
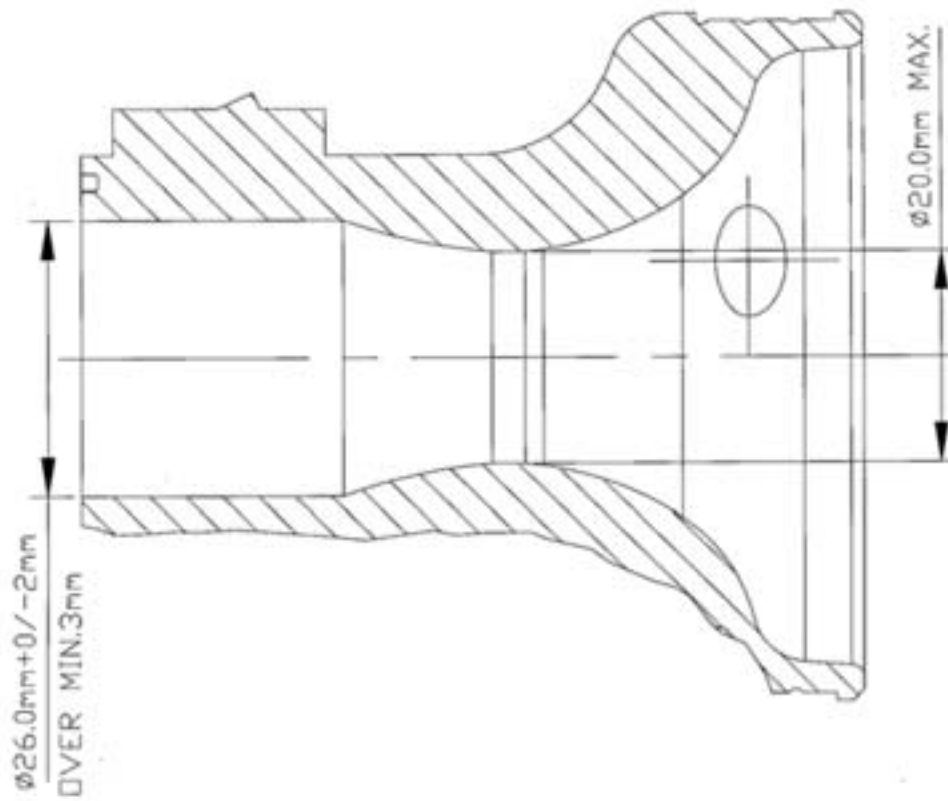
Alex Sinclair 31.01.07

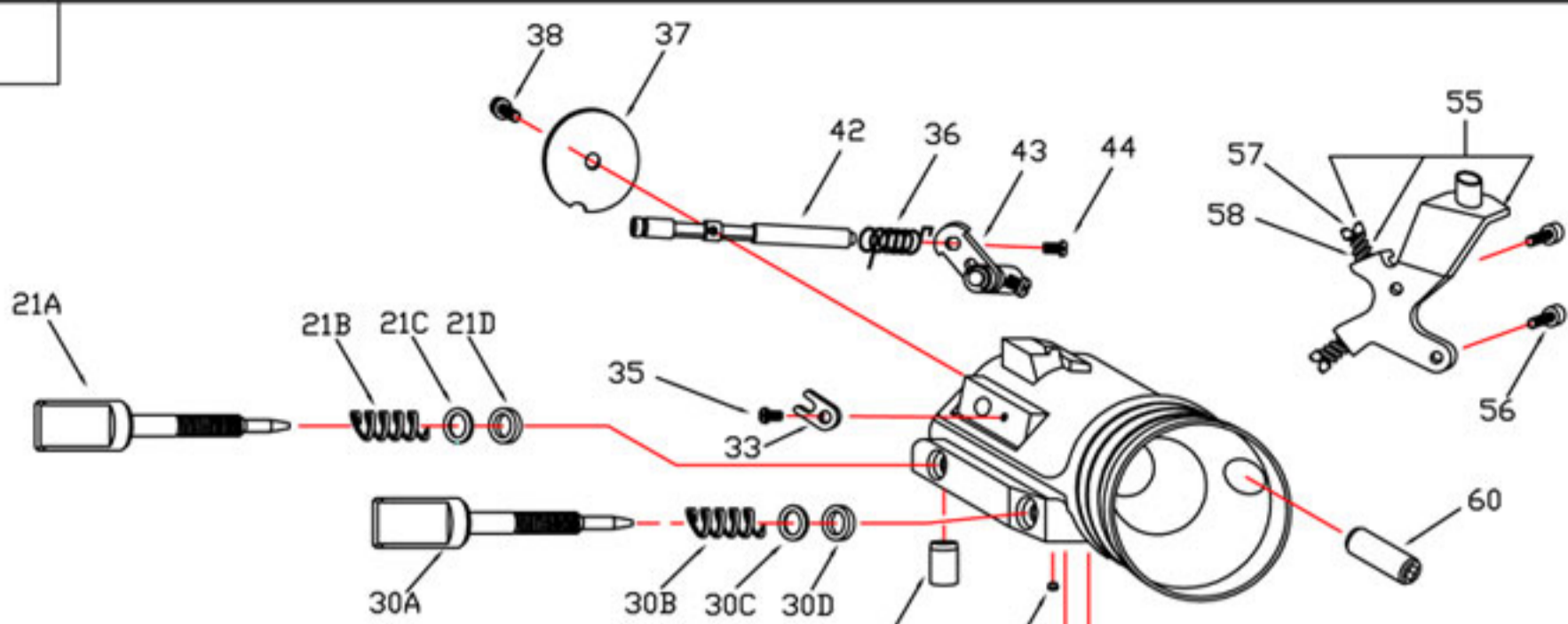


VUE EN SECTION
CONDUIT D'ASPIRATION
INLET PORT SECTION VIEW

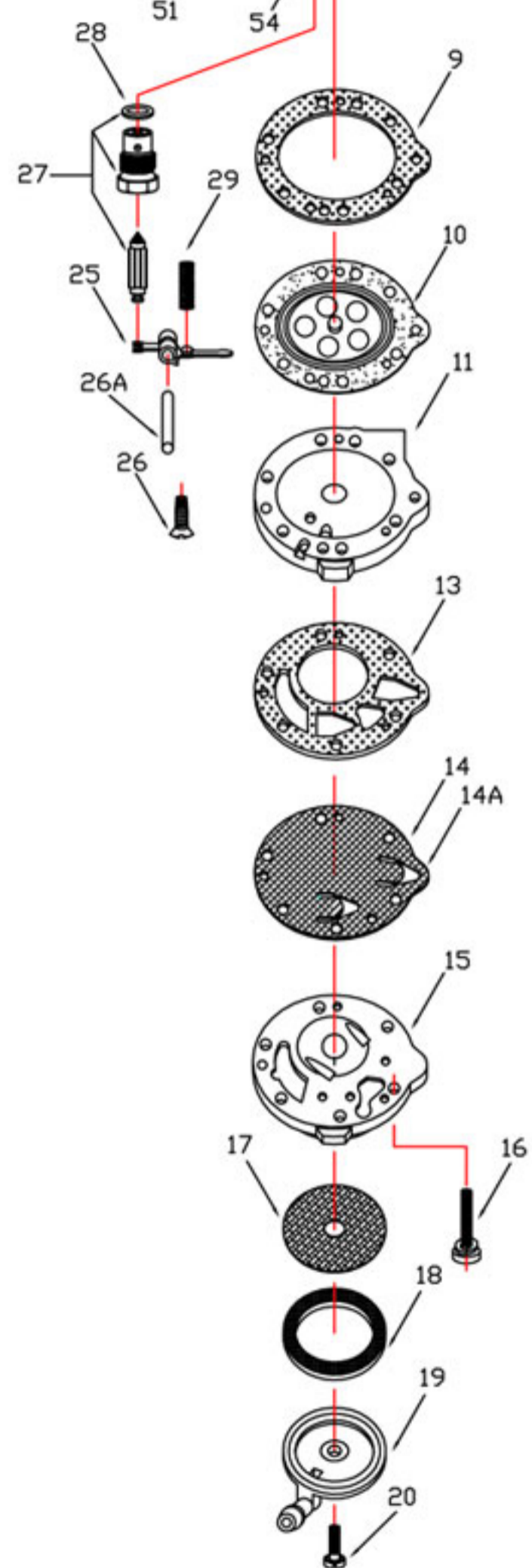
VUE DE FACE
CÔTÉ ASPIRATION
INLET SIDE FRONT VIEW

Echelle 1:1 / 1:1 Scale





| REF: | PART NO: | PART DESCRIPTION |
|------|-------------|---------------------------------------|
| 9 | + * 16B-217 | DIAPHRAGM GASKET |
| 10 | + * 237-600 | DIAPHRAGM ASSEMBLY |
| 11 | 91A -275 | DIAPHRAGM COVER |
| 13 | + * 16B-392 | FUEL PUMP GASKET |
| 14 | + * 237-162 | FUEL PUMP DIAPHRAGM (STANDARD) |
| 15 | 141-89 | FUEL PUMP BODY |
| 16 | 15C-51 | FUEL PUMP BODY SCREW (6-REQD) |
| 17 | 95-170 | FUEL STRAINER SCREEN |
| 18 | + * 16B-205 | FUEL STRAINER COVER GASKET |
| 19 | 91A-251 | FUEL STRAINER COVER |
| 20 | 15B-313 | FUEL STRAINER COVER RETAINING SCREW |
| 21A | 43-1029 | IDLE MIXTURE SCREW |
| 21B | 24B-449 | IDLE MIXTURE SCREW SPRING |
| 21C | 78A-256 | IDLE MIXTURE SCREW WASHER |
| 21D | 44-361 | IDLE MIXTURE SCREW PACKING |
| 25 | * 155A-27 | INLET CONTROL LEVER |
| 26 | 15B-329 | INLET CONTROL LEVER FULCRUM SCREW |
| 26A | 32-79 | INLET CONTROL LEVER FULCRUM PIN |
| 27 | * 233-717P | INLET NEEDLE & SEAT SET |
| 28 | 16B-199 | INLET SEAT GASKET |
| 29 | 24C-297 | INLET TENSION SPRING (46gram) |
| 30A | 43-1030 | HIGH SPEED MIXTURE SCREW |
| 30B | 24B-449 | HIGH SPEED MIXTURE SCREW SPRING |
| 30C | 78A-256 | HIGH SPEED MIXTURE SCREW WASHER |
| 30D | 44-361 | HIGH SPEED MIXTURE SCREW PACKING |
| 33 | 29-224 | THROTTLE SHAFT CLIP |
| 35 | 15C-19 | THROTTLE SHAFT CLIP RETAINING SCREW |
| 36 | 24B-381 | THROTTLE SHAFT RETURN SPRING |
| 37 | 14A - 80 | THROTTLE SHUTTER |
| 38 | 15C-20 | THROTTLE SHUTTER SCREW |
| 42 | 13B - 215 | THROTTLE SHAFT |
| 43 | 12 - 1217 | THROTTLE LEVER ASSEMBLY |
| 44 | 15C - 52 | THROTTLE LEVER RETAINING SCREW |
| 51 | 363 - 305 | IDLE NOZZLE |
| 54 | 80-160 | MAIN PLUG (3-REQD) |
| 55 | 136-558 | CABLE BRACKET & LIMITER ASSEMBLY |
| 56 | 15C - 67 | CABLE BRACKET RETAINING SCREW (2-REQ) |
| 57 | 15C - 9 | LIMITER SCREW |
| 58 | 24B - 131 | LIMITER SCREW SPRING |
| 60 | 81 - 377 | CARBURETTOR MOUNTING NUT (2-REQD) |



| | | |
|--------------------------|--|---------------------------------------|
| RK-1HW | REPAIR KIT (STANDARD) | |
| DG-1HW | DIAPHRAGM & GASKET SET (STANDARD) | |
| 233-717P | INLET NEEDLE & SEAT SET | |
| OPTIONAL PARTS AVAILABLE | | |
| 14A | 237- 223 X | FUEL PUMP DIAPHRAGM (MYLAR) 10PACK |
| 29A | 24B-323 X | INLET TENSION SPRING (26gram) 10 PACK |
| 29B | 24C-296 X | INLET TENSION SPRING (31gram) 10 PACK |
| 29C | 24B-299 X | INLET TENSION SPRING (37gram) 10PACK |
| 29D | 24C-298 X | INLET TENSION SPRING (42gram) 10 PACK |
| 29F | 24B-345 X | INLET TENSION SPRING (48gram) 10 PACK |
| RK-2HW | REPAIR KIT (OPTIONAL MYLAR) | |
| DG-2HW | DIAPHRAGM & GASKET SET (OPTIONAL MYLAR) | |
| * | INDICATES CONTENTS OF REPAIR KIT | |
| + | INDICATES CONTENTS OF DIAPHRAGM & GASKET SET | |

FACTORY MAIN SETTING : 0 TURNS- 37MIN. OPEN
 FACTORY IDLE SETTING : 1TURN- 10MIN. OPEN



TILLOTSON LTD.
 CLASH INDUSTRIAL ESTATE,
 TRALEE, CO. KERRY,
 IRELAND.

KARTING CLASS : KF-3 / 2009
 HOMOLIGATION NUMBER: CIK-FIA 6 C 15